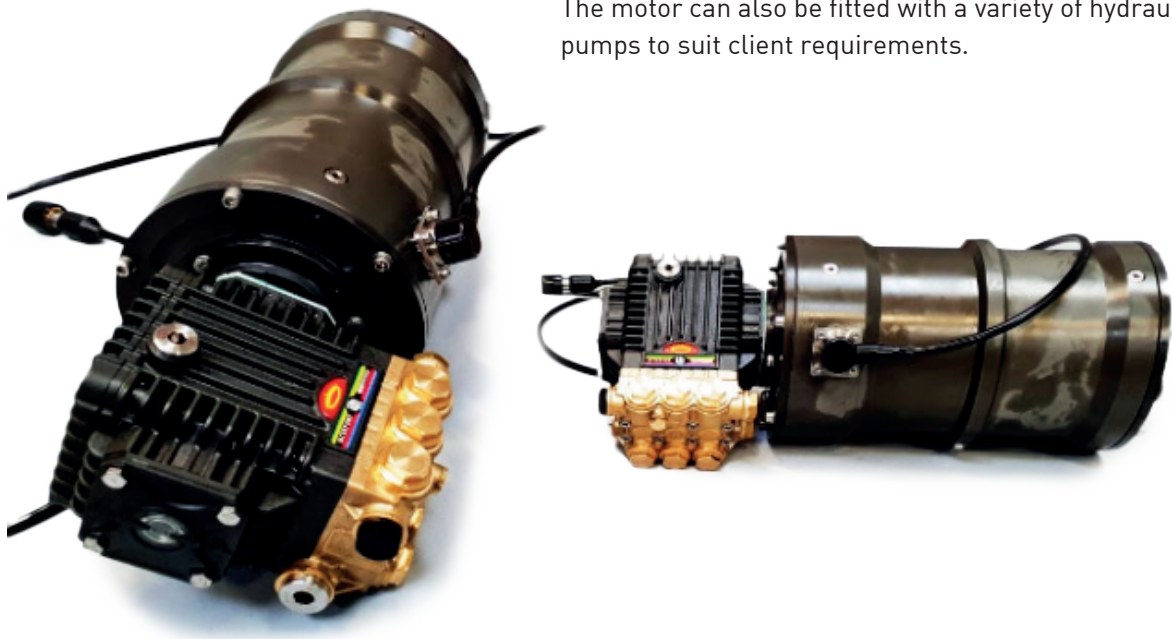


4KW ELECTRIC TOOLING MOTOR

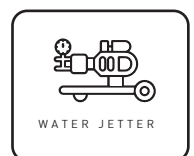
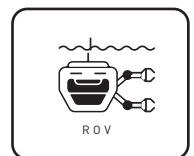
The AS02070 Motor is generally supplied with a water jetting pump which is used to assist cleaning tasks needed on many subsea structures before intervention.

The motor can also be fitted with a variety of hydraulic pumps to suit client requirements.

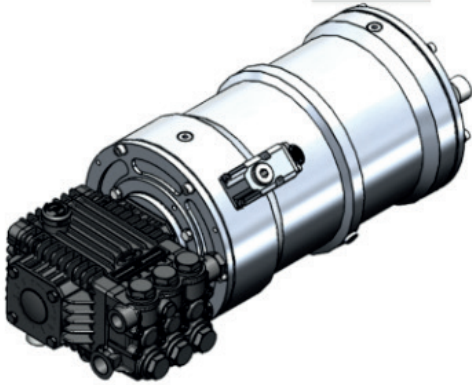


FEATURES AND BENEFITS

- ⚡ 4kw – 200kw
- ⚡ 4-pole 1800rpm nominal speed
- ⚡ Full ocean depth & harsh environmental operation
- ⚡ Anodised aluminium and stainless-steel options
- ⚡ Option for customer bespoke designs



UNDERWATER PRESSURE JETTER

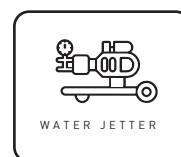
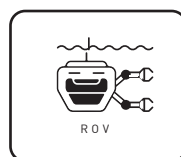


FEATURES AND BENEFITS

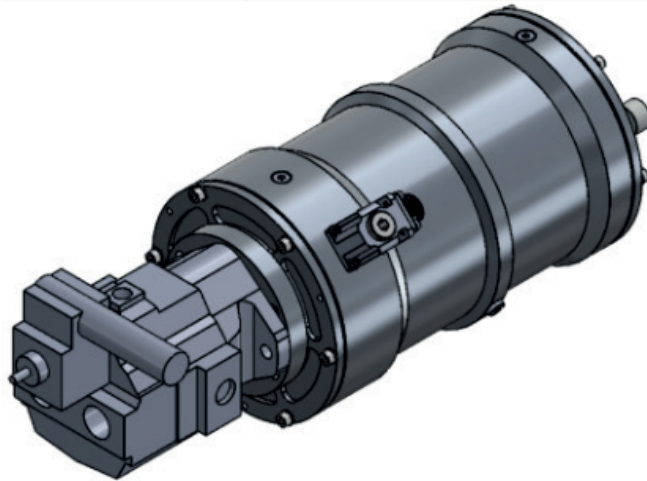
- ⚡ 150 bar at 12 lpm capability
- ⚡ 440 & 660 Vac options
- ⚡ Full ocean depth & harsh environmental operation
- ⚡ Anodised aluminium body

SPECIFICATION

APPROXIMATE PRODUCT SPECIFICATIONS			
Pressure	150 Bar	Flow	12 LPM
Voltage	440 or 660 Vac 3ph	Frequency	60 Hz
Weight in air	37.5 kg	Weight in water	30 kg
Water pump output port	3/8" BSPP Female	Water pump inlet port	1/2" BSPP female
Pump crank case port	3/8" BSPP Female	Motor compensation ports	2 x 1/4" BSPP 4 x 1/8" BSPP
Motor finish	Aluminum 6082-T6 hard anodized	Length	500mm
Width	240mm	Height	200mm



VARIABLE DISPLACEMENT PUMP HPU



HPU APPROXIMATE PRODUCT SPECIFICATIONS

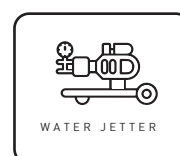
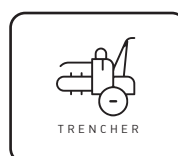
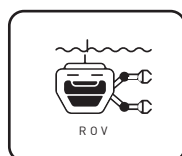
Weight in air	39Kg
Weight in water	31Kg

MOTOR APPROXIMATE PRODUCT SPECIFICATIONS

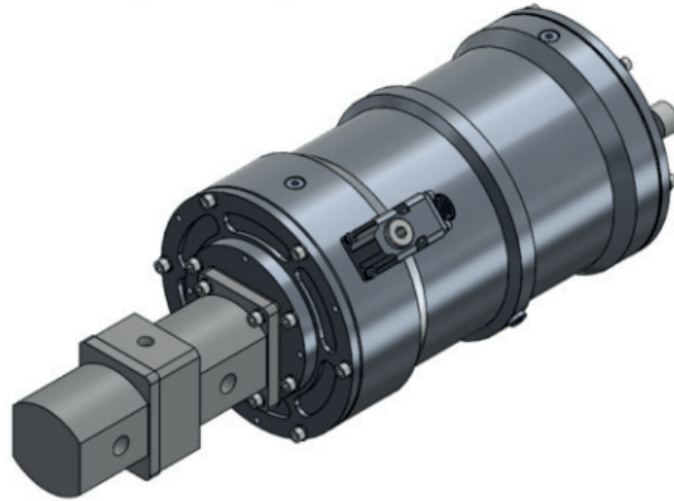
660Vac 3ph 60Hz	Current 5.5A approx.	Comp port 1/4" BSP
-----------------	----------------------	--------------------

PUMPS APPROXIMATE PRODUCT SPECIFICATIONS

Pressure 140 bar @ flow 16lpm approx.	Pressure 210 bar @ flow 10 lpm approx.	Rear inlet outlet SAE straight thread 1 1/16-12Un-2B
---------------------------------------	--	--



TANDEM GEAR PUMP HPU



HPU APPROXIMATE PRODUCT SPECIFICATIONS

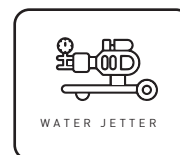
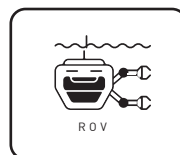
Weight in air	33Kg
Weight in water	25Kg

MOTOR APPROXIMATE PRODUCT SPECIFICATIONS

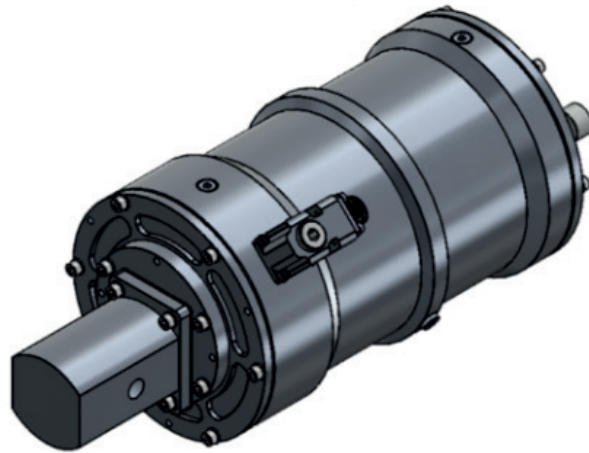
660Vac 3ph 60Hz	Comp port 1/4" BSP
-----------------	--------------------

PUMPS APPROXIMATE PRODUCT SPECIFICATIONS

Pressure 140 bar	Main flow 12 lpm approx.	Aux flow 3 lpm approx.
Suction port 3/8" BSP	Delivery port 3/8"	BSP Comp port 1/4" BSP



GEAR PUMP HPU



HPU APPROXIMATE PRODUCT SPECIFICATIONS

Weight in air	33Kg
Weight in water	25Kg

MOTOR APPROXIMATE PRODUCT SPECIFICATIONS

660Vac 3ph 60Hz	Comp port 1/4" BSP
-----------------	--------------------

PUMPS APPROXIMATE PRODUCT SPECIFICATIONS

Pressure 140 bar	Flow 16 lpm approx.
Suction port 3/8" BSP	Delivery port 3/8"

